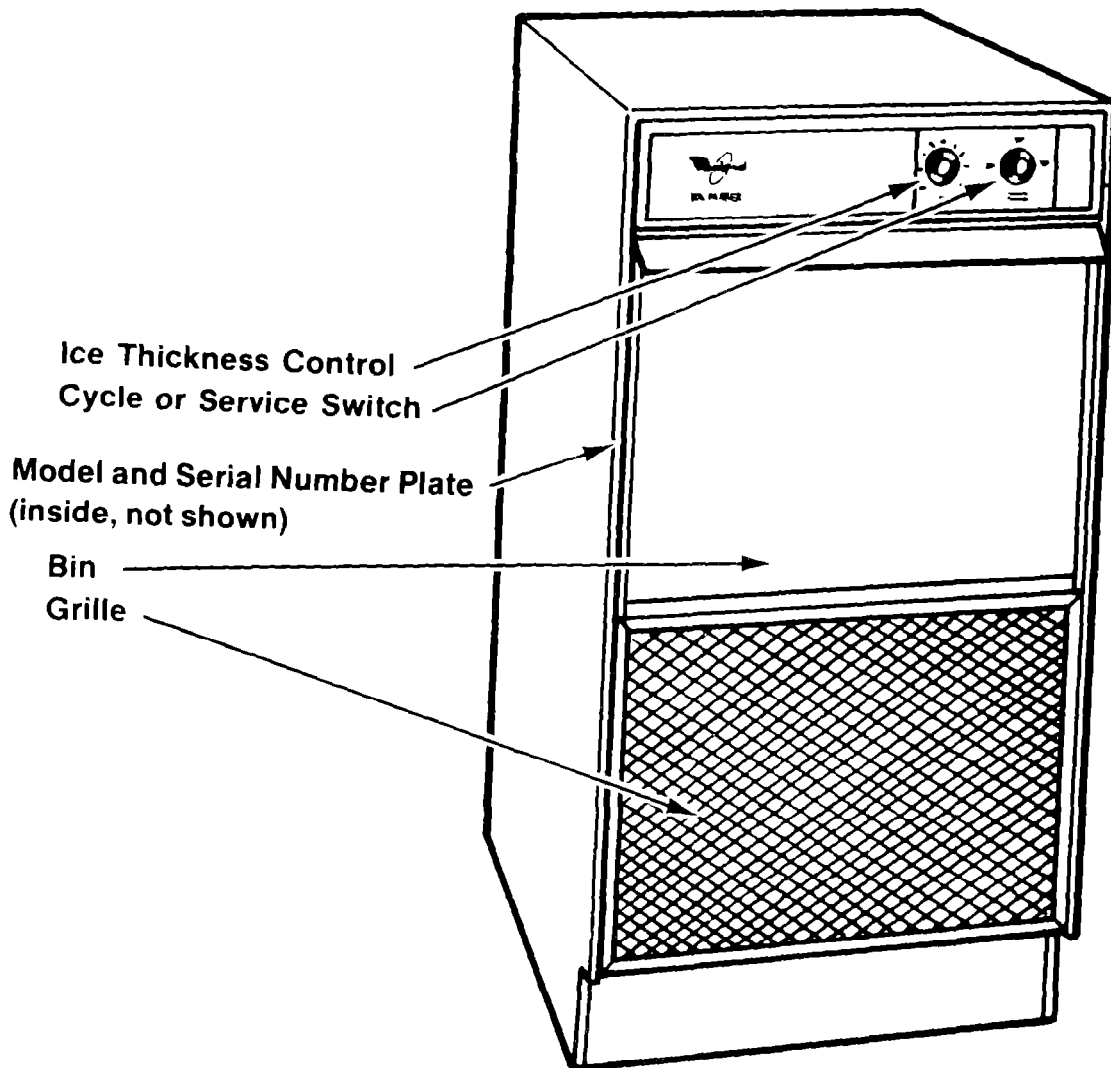




AUTOMATIC ICE MAKER

Use and Care Guide



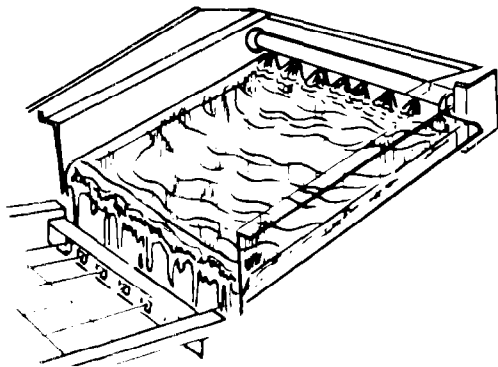
BEFORE OPERATING THE ICE MAKER

It is your responsibility to make sure that the ice maker:

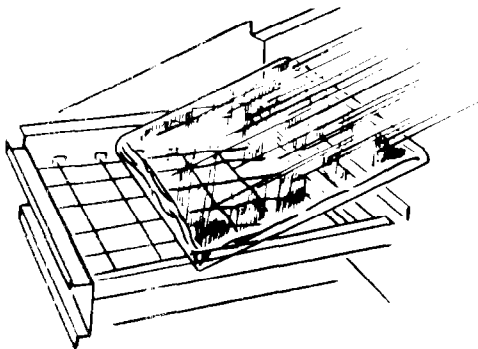
- has been installed where it is protected from the elements.
- is located so that the front is not blocked to restrict incoming or discharge air flow.
- is properly leveled.
- is located in a well ventilated area with temperatures above 55°F (13°C) and below 110°F (43°C). Best results are obtained at temperatures between 70°F (21°C) and 90°F (32°C).
- is properly connected to a water supply and drain.
- is properly connected to electricity. A 115 Volt, 60 Hz., 15 amp fused electrical supply is required. **NOTE:** Time delay fuse or circuit breaker is recommended.
- is properly electrically grounded.
- is not operated by anyone unable to use it properly.
- is used only for the job it was designed to perform.
- is properly maintained.

ICE MAKER OPERATION

How it makes ice:



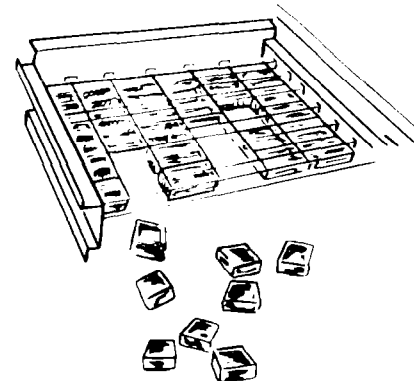
1. Water is constantly circulated over a freezing plate. As the water freezes into ice the minerals in the water are rejected. This produces a clear sheet of ice with a low mineral content.



2. When the desired thickness is reached, the ice sheet is released and slides on to a cutter grid. The grid divides the sheet into individual cubes.

3. The water containing the rejected minerals is drained after each freezing cycle.

4. Fresh water enters the machine for the next ice making cycle.



5. Cubes fall into the storage bin. When the bin is full the ice maker shuts off automatically and re-starts when more ice is needed.

To Operate the Ice Maker:

1. Select ice thickness (Figure 1). The ice maker has been pre-set to produce ice approximately 1/2" thick, while operating in a room ambient of 70°F (21°C).

Operation in different ambient temperatures may require readjusting the control toward "THICK" or "THIN."

Best operation will be obtained with ice 1/2" to 5/8" thick.

If operating in a warm room ambient (above 90°F [32°C]) **DO NOT** set control to maximum thickness or the unit may malfunction.

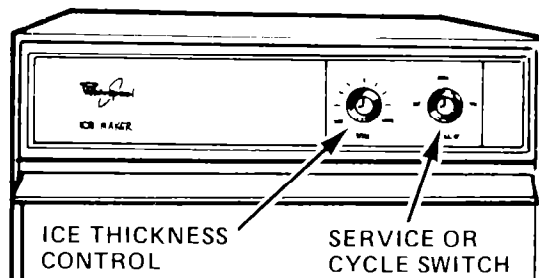


FIGURE 1

2. To start the normal ice making cycle, turn service or cycle switch to "ON."

3. To stop ice maker operation, turn service or cycle switch to "OFF."

4. The "CLEAN" setting is used whenever solutions are circulated through the ice maker for cleaning. Only the water pump operates at this setting.

GENERAL CARE AND CLEANING

Periodically inspect and clean the ice maker to keep it operating at peak efficiency and to prevent premature failure of system components.

Both the ice making system and the air cooled condenser need to be cleaned regularly.

Cleaning exterior surfaces:

Wash the exterior enamel surfaces and gaskets with warm water and mild soap or detergent. Rinse and dry. Regular use of a good household appliance cleaner and wax will help protect the finish.

Note: Do not use harsh or abrasive cleaners on enamel surfaces as they may scratch the finish.

Cleaning the condenser:

A dirty or clogged condenser:

- prevents proper air flow.
- reduces ice making capacity.
- causes higher than recommended operating temperatures which may lead to component failure.

To Clean :

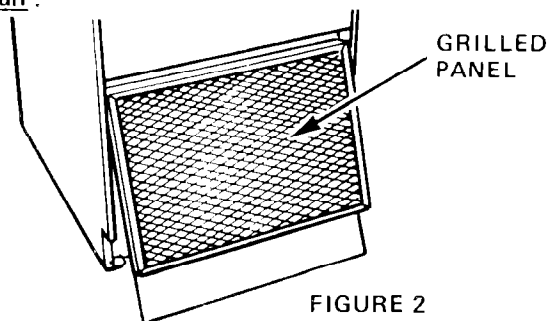


FIGURE 2

1. Disconnect electrical power supply to the machine or place the service switch in the "OFF" position. The condenser fan should not operate while removing dirt from the condenser.

2. Remove the two screws from the bottom of the gridded front panel.

CAUTION: Switch must be in "OFF" position to keep condenser fan from rotating. Do not touch condenser fins. They are sharp. Refrigerant tubing gets very hot during normal operation. Be careful.

3. Pull forward and down to remove the panel.

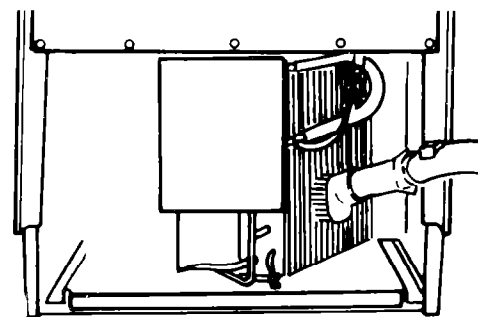


FIGURE 3

4. Remove dirt and lint from the condenser fins with a soft brush and then use a vacuum cleaner to remove the dirt from the unit compartment (Figure 3).

Caution: Condenser fins are sharp and can bend easily. Use care when brushing the condenser to keep from bending the fins. Condenser tubing gets hot enough during normal operation to burn your hand. Use care and do not touch the tubing.

5. Replace the gridded front panel and screws.

CLEANING AND SANITIZING THE ICE MAKING SYSTEM

Ice making system:

The minerals rejected from the circulating water during the freezing cycle will eventually form a hard scaly deposit in the water system which prevents a rapid release of the ice.

Clean ice and water system periodically to remove mineral scale build-up. Frequency of cleaning depends on water hardness. With soft water, cleaning may not be required for several years. With hard water (15 to 20 grains/gal.) cleaning may be required as frequently as every six months.

To clean and sanitize, follow this procedure.*

* Accepted by the National Sanitation Foundation.

1. Place cycle or service switch in "OFF" position

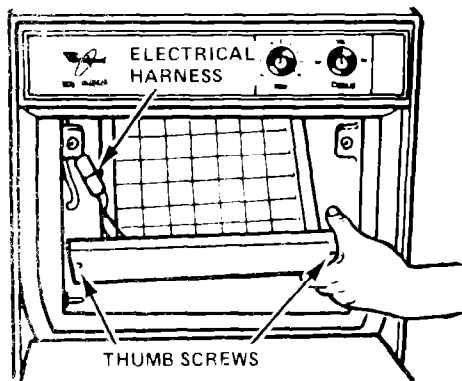


FIGURE 4

2. Remove the two thumb screws and slide the ice cutter grid out of the two slots near the water pan.

3. Unplug the electrical harness.

Any ice on the grid should be melted under running warm water. Attempting to pick the ice slab off the grid may stretch and damage grid wires.

4. Remove all ice from the storage bin and the freezing plate.

5. Drain the water pan by removing the drain plug (Figure 5) and then replace the plug.

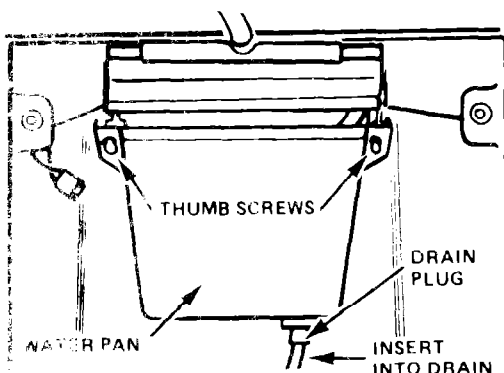


FIGURE 5

WARNING: Most ice machine cleaners are citric or phosphoric acid which can cause irritation even after dilution. In case of contact with eyes, flush eyes thoroughly with fresh water and contact a physician immediately. In case of contact with skin, rinse well with water. If **swallowed**, give large amounts of water and contact a physician immediately. Do not induce vomiting. KEEP OUT OF REACH OF CHILDREN.

6. Pour $\frac{1}{2}$ gallon (1.9 L) of hot tap water into the water pan and turn the service or cycle switch to "CLEAN." This warms up the system to make the cleaning solution more effective. Let circulate for five minutes. While tap water is circulating, prepare cleaning solution. Mix:

6 oz. (170g) powdered citric, or phosphoric acid into

$\frac{1}{2}$ gallon (1.9 L) hot water

(Citric and phosphoric acid crystals are available from many pharmacies or scientific supply houses.)

Commercial Ice Machine cleaners (liquid) are also available from your dealer or refrigeration parts supply stores. Mix according to instructions on label (total quantity $\frac{1}{2}$ gallon [1.9 L]).

7. Turn Service or Cycle switch to "OFF" and drain tap water. (See step 5.)

8. Turn the switch to "CLEAN" and slowly pour the hot cleaning solution into the water pan. (If the solution foams while pouring, wait until foaming stops.) Then add the balance of the solution.

Allow solution to circulate until the scale has dissolved (15 to 30 minutes). Severe scale build-up may require repeated cleaning with a fresh quantity of cleaning solution.

To clean scale off the side flanges of the freezing plate, use rubber gloves and scrub with a plastic scrubby or non-soap filled stainless steel pad dipped in cleaning solution.

9. Drain the cleaning solution. Using the rubber gloves, remove the drain plug and set the switch to "OFF."

10. Replace the plug and add $\frac{1}{2}$ gallon (1.9 L) of fresh water. Set switch to clean, circulate five minutes, drain. Repeat rinsing process.

Removal and cleaning of interior components:

Do not operate unit with panels removed.

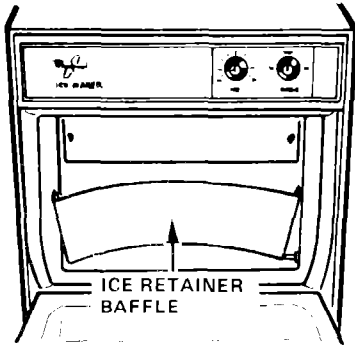


FIGURE 6

1. Remove ice retainer baffle by flexing it (Figure 6) and then slide it off the studs.

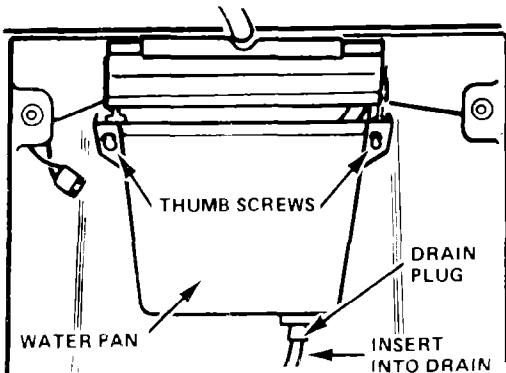


FIGURE 7

2. Remove the water pan by unscrewing the two thumb screws (Figure 7).

3. Remove the hose from the water pump. Clean the water inlet hose hanging in the water pan.

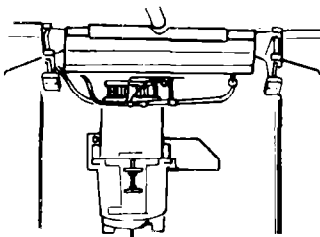


FIGURE 8

4. Remove the water distributor from the freezing plate. It is held in place by rubber end caps. Remove the inlet hose and clean all water distributor holes and the small orifice in the inlet side of the distributor. When replacing the distributor, make sure the end caps are located in the evaporator flange detents and that the water distributor holes face down.

5. Wash the interior components you have just removed with mild soap or detergent and warm water. Rinse in clean water. Sanitize in a solution of 1/4 oz. (8 ml) of chlorine laundry bleach mixed with 1 gallon (3.8 L) warm water.

NOTE: Do not wash plastic parts in dishwasher. Plastic parts can not withstand temperatures above 145° F. (63° C).

6. Wash the storage bin, door, gasket, and ice scoop with mild soap or detergent and warm water. Rinse with clean water. Sanitize with the chlorine bleach and water solution.

7. Replace the interior components: water distributor, hoses, water pan, and ice retainer.

8. Check the following:

- Hose from water valve is in water pan.
- Rubber drain plug is in water pan (Figure 7).
- Water distributor is seated and holes are facing down.
- Hose is reconnected to pump and water distributor.
- Hose from water pan is inserted into storage bin drain opening.

9. Reconnect electrical harness. Replace cutter grid.

CHANGING THE BIN DOOR PANEL

You can easily change the color of the front panel on the storage bin door. Four colors are available; Black, Almond, Harvest Gold and White.

To change the panel:

1. Open the bin door. Remove the two screws on top of the door, which hold the handle.
2. Remove the handle.
3. Carefully slide the panels out. You will find two panels with four colors.

4. Choose the color you want to show and carefully slide the panels back into the door, being careful not to scratch the panel as it's inserted.

5. Replace the handle and screws.

Note: A brushed chrome door panel is available that you can order from your dealer as part No. 755340.

You can also have a decorative wood front to match existing cabinets. The panel should be 1/4" (6 mm) thick and 17" x 13-3/16" (433 mm x 335 mm). Remove the metal panels and break off the ribs on the door insulation to allow for wood thickness.

FILTERING AND TREATING WATER

In most areas it will be beneficial to filter or treat the water being supplied to the ice machine. It can improve the reliability of the machine, reduce water system maintenance and produce the best quality of ice.

The installation of a polyphosphate feeder will generally reduce scale build-up and the ice machine will require less frequent cleaning.

Municipal water systems are generally treated with chlorine to maintain a safe potable water supply. Activated carbon filters will sufficiently remove the residual chlorine from the water to reduce surface staining of stainless steel materials in the ice machine.

For information on filtering and treating the water, see the dealer from whom you purchased your ice maker or your WHIRLPOOL Franchised TECH-CARE® service company.

TO SHUT DOWN THE ICE MAKER

1. Turn ice maker to "OFF."
2. Remove all ice from storage bin.
3. Shut off the water supply.
4. Remove front grille (Figure 2).
5. Disconnect the inlet and outlet lines to water valve. Allow these lines to drain and then reconnect to the valve.
6. Replace front grille and screws.

7. Remove water from drain lines and drain water pan if the unit will be subjected to freezing temperatures during shut down.

8. Before using again, clean and sanitize the ice maker and storage bin.

Oiling:

All components of the ice maker are permanently lubricated at the factory. They should not require any additional oiling throughout the normal life of the machine.

IF YOU NEED SERVICE OR ASSISTANCE, WE SUGGEST YOU FOLLOW THESE FOUR STEPS:

1. Before calling for assistance. . .

Performance problems often result from little things you can find and fix yourself.

1. Unit does not run:

- Service or Cycle switch must be in "ON" position.
- Check to see that power cord is plugged in.
- Check for blown fuse or tripped circuit breaker in electrical supply to machine.
- Room temperature must be above 55°F. (13°C). Otherwise, bin thermostat may sense cold room temperature and shut off even though bin is not full of ice. Also, unit may not restart once it does shut off.

2. Unit runs but produces no ice:

- Service or Cycle switch must be in "ON" position.
- Check water supply to make sure it is open.
- If ice machine is operated at an elevation of 2,000 feet or more above sea level, both the bin thermostat and the ice thickness thermostat need to be recalibrated. See Installation Instructions.

3. Unit runs but produces very little ice:

- Room temperature may be extremely high, over 90°F. (32°C). In this case, it is normal for ice production to be low.
- Dirt or lint may be blocking the air flow through the finned condenser. Condenser needs to be cleaned.
- Check to see if the unit has a scale build-up in water and freezing system. Clean, if necessary.

4. Grid is not cutting ice sheets:

- Check the grid harness plug to make sure the connection is secure.

5. Taste in ice cubes:

- There may be an unusually high mineral content in water supply. Water may need to be filtered or treated.
- Do not store any foods in the ice bin.
- Packaging material not all removed.

A more detailed "Trouble Diagnosis Chart" and other technical information is shipped with each unit and is located in the unit compartment section.

Service repair and replacement parts manuals may be ordered directly from:

Whirlpool Corporation
Whirlpool Drive
Attention: Literature Department
LaPorte, Indiana 46350

Specify the model number of the ice machine when ordering.

2. If you need assistance* . . .

Call Whirlpool COOL-LINE® service assistance telephone number. Dial free from:

Continental U. S. (800) 253-1301
Michigan (800) 632-2243
Alaska & Hawaii (800) 253-1121

and talk with one of our trained Consultants. The Consultant can instruct you in how to obtain satisfactory operation from your appliance or, if service is necessary, recommend a qualified service company in your area.

3. If you need service* . . .



Whirlpool has a nationwide network of franchised TECH-CARE® Service Companies. TECH-CARE service technicians are trained to fulfill the product warranty and provide after-warranty service, anywhere in the United States. To locate

TECH-CARE service in your area, call our COOL-LINE service assistance telephone number (see Step 2) or look in your telephone directory Yellow Pages under:

**APPLIANCES—HOUSEHOLD—
MAJOR—SERVICE & REPAIR**
WHIRLPOOL APPLIANCES
FRANCHISED TECH-CARE SERVICE
SERVICE COMPANIES
XYZ SERVICE CO
123 Maple 999-9999

**ELECTRICAL APPLIANCES—
MAJOR—REPAIRING & PARTS**
OR
WHIRLPOOL APPLIANCES
FRANCHISED TECH-CARE SERVICE
SERVICE COMPANIES
XYZ SERVICE CO
123 Maple 999-9999

OR
**WASHING MACHINES, DRYERS
& IRONERS—SERVICING**
WHIRLPOOL APPLIANCES
FRANCHISED TECH-CARE SERVICE
SERVICE COMPANIES
XYZ SERVICE CO
123 Maple 999-9999

4. If you have a problem* . . .

Call our COOL-LINE service assistance telephone number (see Step 2) and talk with one of our Consultants, or if you prefer, write to:

Mr. Guy Turner, Vice President
Whirlpool Corporation
Administrative Center
2000 US-33 North
Benton Harbor, MI 49022

*If you must call or write, please provide: model number, serial number, date of purchase, and a complete description of the problem. This information is needed in order to better respond to your request for assistance.



FSP is a registered trademark of Whirlpool Corporation for quality parts. Look for this symbol of quality whenever you need a replacement part for your Whirlpool appliance. FSP replacement parts are designed

to fit right and work right, because they are made to the same exacting specifications used to build every new Whirlpool appliance.



Benton Harbor, Michigan. Automatic Washers. Clothes Dryers. Freezers. Refrigerator-Freezers. Ice Makers. Dishwashers. Built-in Ovens and Surface Units. Ranges. Microwave Ovens. Compactors. Room Air Conditioners. Dehumidifiers. Central Heating and Air Conditioning Systems.